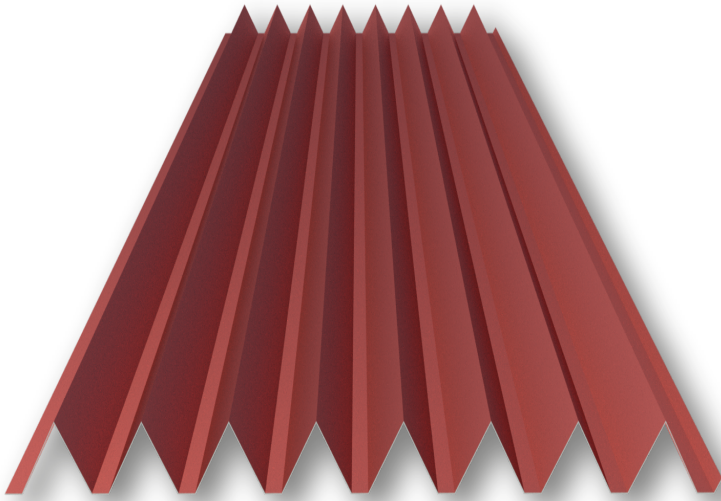


**MT-53 - MALLORCA**
**PROFILED FAÇADE SHEET**

**RAW MATERIAL**  
 Steel

**FINISH**  
 Pre-painted/Galvanized

**DRILLABLE**  
 R3T5 standard  
 (consult other drillable panels)

**THICKNESSES mm (in.)**  
 Up to 0.8  
 (0.031)

**USEFUL WIDTH**  
 804/868/990 mm  
 (31.65/34.17/38.98 in.)

**USE**  
 Façades / False roof

THICKNESS mm (in.)			
0.50 (0.019)	0.60 (0.023)	0.70 (0.031)	0.80 (0.031)
4.96	5.95	6.94	7.93
Weight [kg/m <sup>2</sup> ]-PF-MALLORCA-6			



At **Hiansa**, we offer a **new concept** for dressing the façades of buildings, solving the most creative interior cladding or hanging as a false ceiling. **This new line of** uniquely designed **profiles** offers a variety of **possibilities for finishing** and is able to adapt seamlessly to the requirements and specifics of each project.

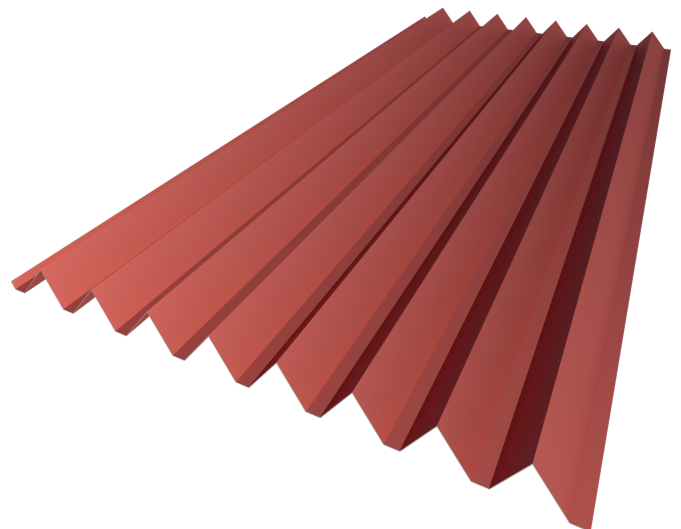
The profile **Hiansa - Mallorca** has a length of up to 6.00 m (19.69 ft) and can be manufactured in 3 useful widths: 804 mm (34.17 in.), 868 mm (34.17 in.) and 990 mm (38.98 in.). With a nerve height of 53 mm (2.09 in.) and its triangular shape, it offers an attractive light and shadow effect on the façade that will make the wall come to life as the amount of sunlight changes throughout the day. Its design, with a discreet fit between each piece and with the fixing system seen on a substructure that is adjustable in depth, can be installed both vertically and horizontally, thus adapting to the most demanding conditions to create a wall with a high-quality finish.

**TECHNICAL SPECIFICATIONS**
**APPLIED STANDARD**

Geometric Specifications			
Characteristic	Value	Units	Tolerance / Standard
Profile thickness (h)	53 (2.09 in.)	mm	±1.5 EN 508-1
Thickness of stiffeners	0	mm	+3/-1 EN 508-1
Wave Pitch	100/124/165	mm	±3.0 EN 508-1
Width of the ridge and valley	0-20/34/33	mm	+4/-1 EN 508-1
Useful width (w)	804/868/990	mm	(±0.1 · h) and ≤15 EN 508-1
Bending radius (r)	3	mm	±2.0 EN 508-1
Length (l)	1250 (49.21) to 6000 (236.22)	mm	+20/-5 EN 508-1

Features of the Profile			
Characteristic	Value	Units	Tolerance / Standard
Deviation from straightness	≤ to the tolerance	mm	±2/ml (max.10) EN 508-1
Deviation from quadrature	≤ to the tolerance	mm	≤ 0.005*w EN 508-1
Deviation of the side overlap	≤ to the tolerance	mm	±2 s/500 mm EN 508-1
Radius and angles of curvature	--	mm	-- EN 508-1
Sheet thickness	0.60 (0.023) to 0.80 (0.031)	mm (in.)	UNE 10143
Type of steel	S220GD to S320GD		UNE 10346
Changes in measurements	12 x 10 <sup>-4</sup> K		UNE 14782
Water resistance	Pass		UNE 14782
Hazardous substance emissions	No emissions		
Behavior against fire	Broof (t1)		RD 110/2008
Galvanized coating	UNE 10346		
Pre-painted coating	UNE 10169		
Fire resistance	Class A1		

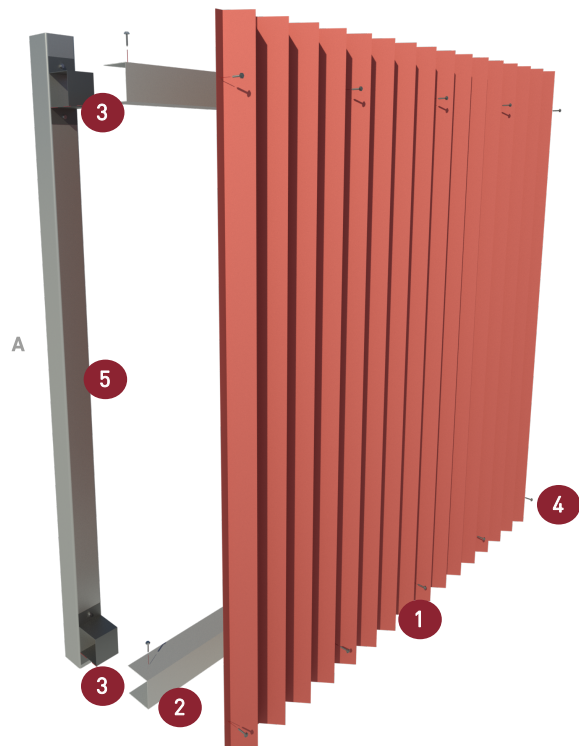
Ref. Standard	Description
EN 508-1	Products for sheet metal roofing and cladding: Specify for self-supporting steel sheet products. Part 1: steel.
EN 10143	Sheets and strips of steel with continuous metal coating by hot dipping. Dimensional and shape tolerances.
EN 10169	Flat steel products, continuous coated with organic materials (pre-painted). Technical supply conditions.
EN 10346	Flat steel products, continuous coated by hot dipping. Technical supply conditions.
EN 14782	Self-supporting metal sheets for covering and cladding of roofs and façades. Product specifications and requirements.



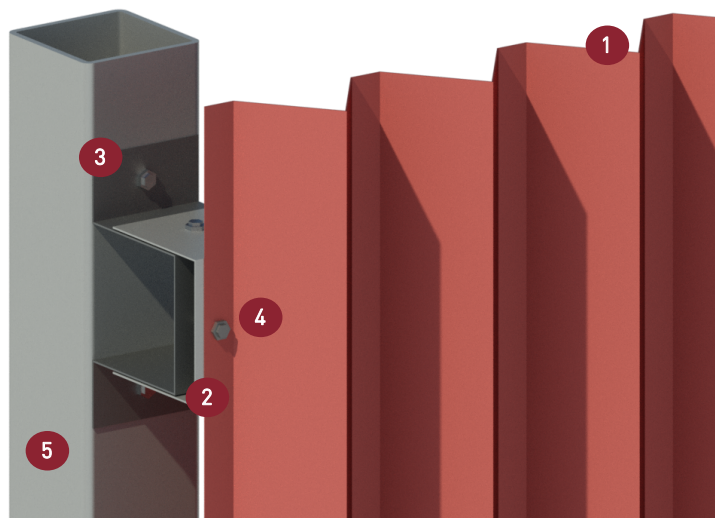
## CONSTRUCTION DETAILS

At Hiansa, our **Technical Office** is on hand to advise on all issues related to solutions for **substructure and assembly** required. In addition, we have the **customized trims** necessary to successfully complete this type of interior and exterior walls. New designs can also be made to truly **personalize** the finishes.

### VERTICAL MOUNTING



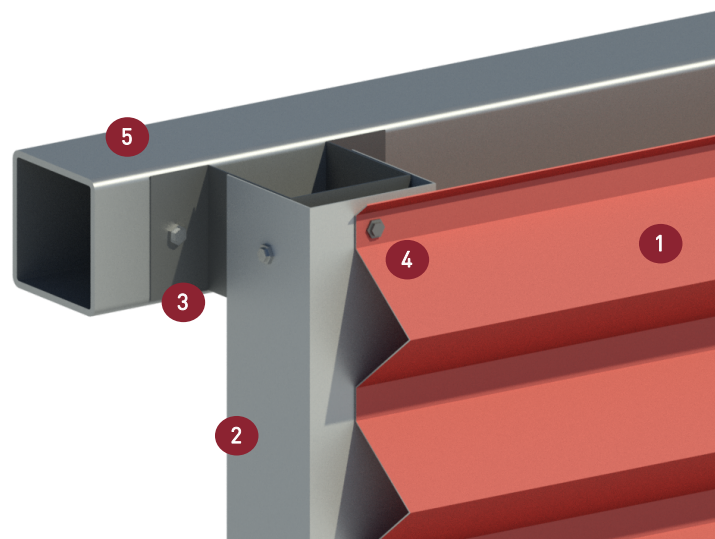
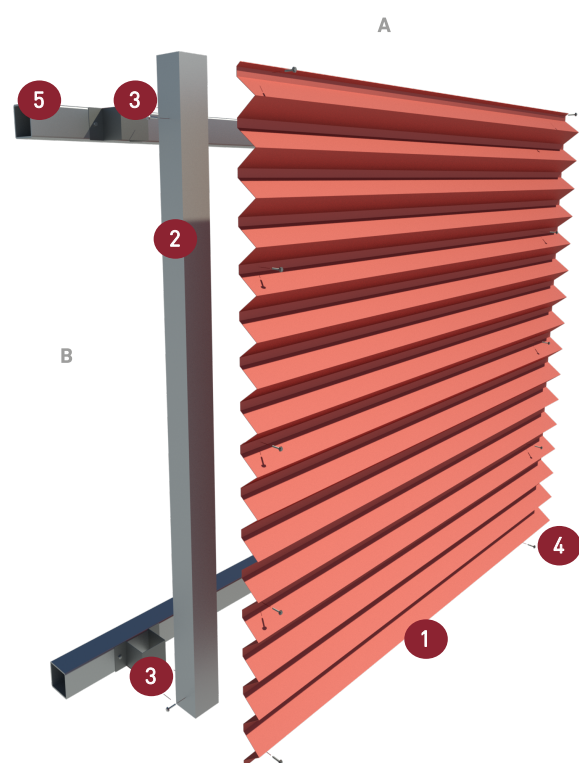
### VERTICAL FASTENING DETAIL



#### LEGEND:

- 1 HIANSA PF-MENORCA PROFILE
- 2 SUB-STRUCTURE - CONTINUOUS "U" SHAPE BATTEN GALVANIZED STEEL SHEET
- 3 SUB-STRUCTURE - "OMEGA" SINGLE-POINT SUPPORT PIECE GALVANIZED STEEL SHEET
- 4 FASTENING FAÇADE PROFILE VIEW
- 5 FAÇADE SUPPORT - MAIN STRUCTURE (or WALL)

Maximum distance between sub-frameworks (A) and omega single-point support pieces (B) from 1500 mm to 1750 mm

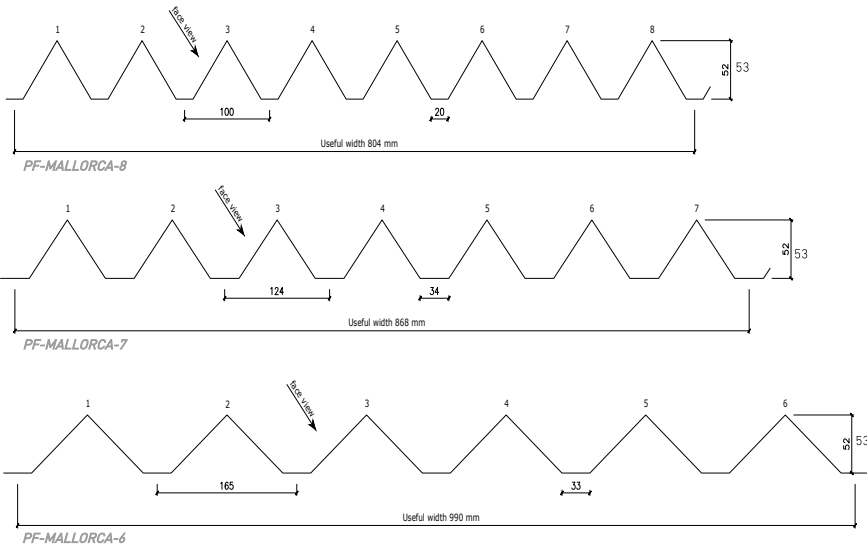


### HORIZONTAL MOUNTING

### HORIZONTAL FASTENING DETAIL

HIANSA S.A. reserves the right at all times to make changes to this document without prior notice.

## GEOMETRIC SPECIFICATIONS



LENGTHWISE OVERLAP

### USE

Roof SANDWICH panel	Roof SANDWICH panel	Roof DECK panel	SIMPLE façade	Façade SANDWICH panel	Façade SANDWICH panel	Interior	Lost Formwork
Interior Profile	Exterior Profile	Base Profile		Interior Profile	Exterior Profile	False Ceilings	
			👍		👍	👍	



#### CUSTOMIZED MANUFACTURING

Custom manufactured **profiles** measuring up to 6.00 m in length. Standard useful width of 804/868/990 mm **the option to adapt** the width to each project as required (on request).



#### MORE LIGHTWEIGHT CLADDING

Sheet steel profiles with lightweight **galvanized** steel substructures **that are adjustable** in depth. **Reduction in the overall** weight of the structure compared to other bulkier solutions.



#### QUICK AND EASY INSTALLATION

Profiles ready for **lengthwise overlap**. Substructures composed of pieces that are **easy to install and adjust**. Possibility of transverse overlap between profiles. Speed **up** the assembly process.



#### PRECISE MANUFACTURE

Profiles manufactured with **state-of-the-art machinery**, which ensures a very high quality geometry, bending, **perforation and fitting**.

## COLORS

(\*) colors on request



The range of colors with standard organic coating in polyester consists of 19 shades, 17 solid colors plus 2 different shades of metallic gray.

**For colors not included in the standard range, consult our sales department.**

Although we have used the most advanced printing techniques to produce this document, we cannot guarantee that the colors are 100% accurate with respect to reality due to the difference in printing media and system.