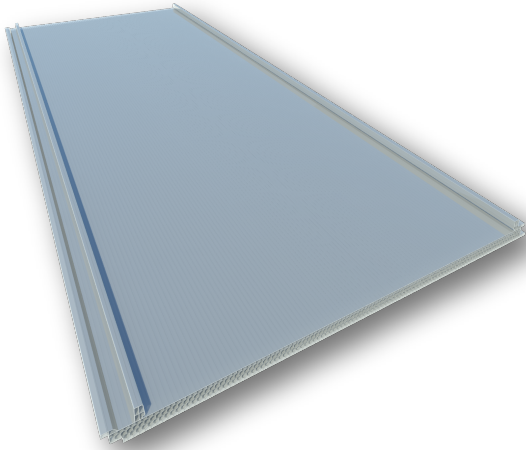


HEXAGONA

LIGHTING PANEL WITH FLASHING



COMPOSITION
Honeycomb polycarbonate

THICKNESSES mm (in.)
30
(1.18)

USEFUL WIDTH
1000 mm (39.37 in.)

USE
Roofs



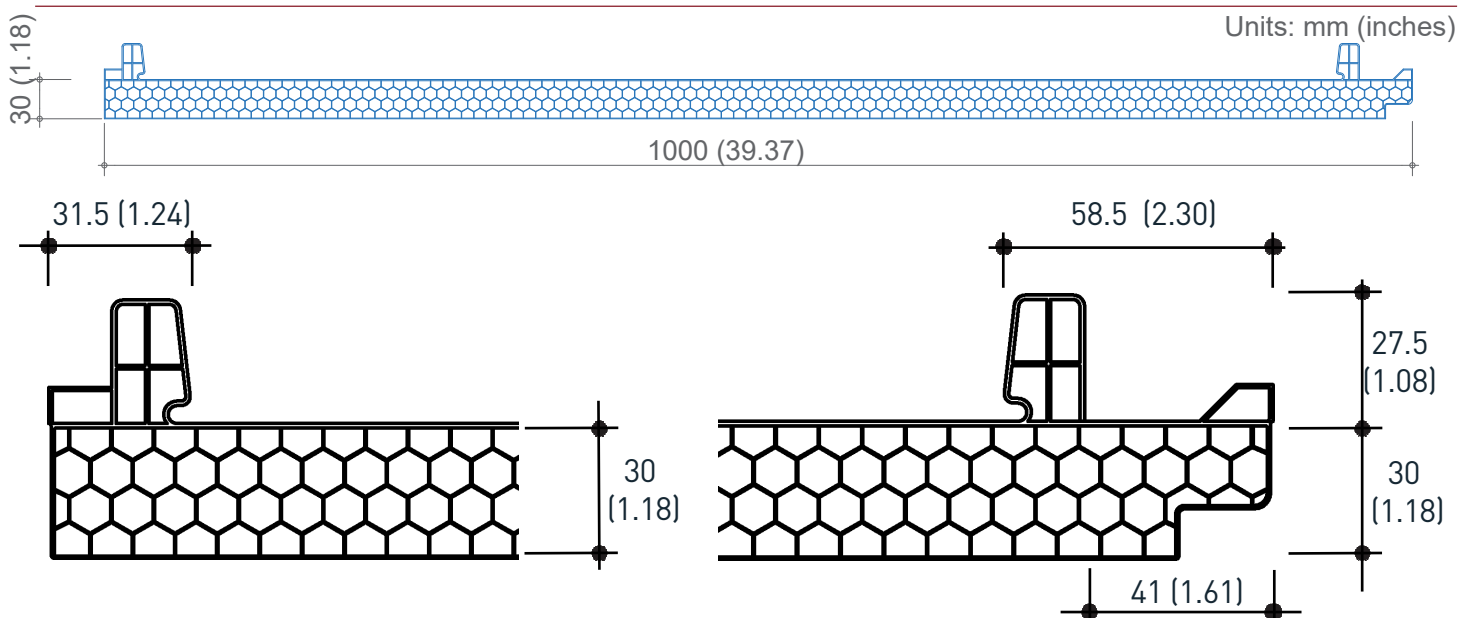
TECHNICAL SPECIFICATIONS

MAIN SPECIFICATIONS HEXAGONA 30 mm	
Characteristic	Value
Thicknesses	Ext: 1 mm / Nerves: 0.3 mm / Int: 0.5 mm
Horizontal walls	4
Useful sheet width	1000 mm
Heel	No
Standard length (l)	7500-10,000-12,000-13,500 mm
Customized length (l)	customized (from 300 m2)
Weight	4.15 kg/m ²
Light transfer	Opal: 39%
Thermal insulation	1.60 w/m ² .K
Acoustic insulation	24 dB
Expansion	0.065 mm/m °C
UV protection	coextrusion exterior face
Fire classification	B-s1-d0 (UNE-EN: 13501-1:2007)
Temperature for ordinary use	-30 +120 °C

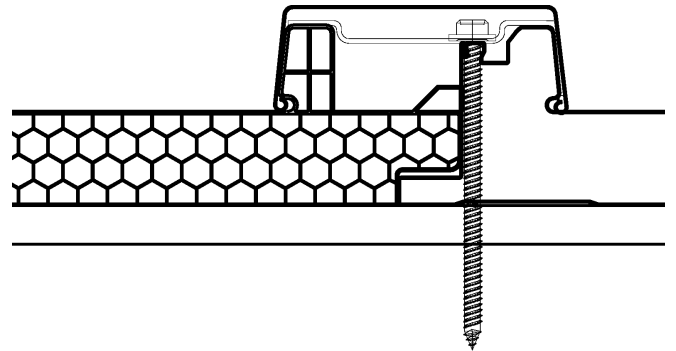
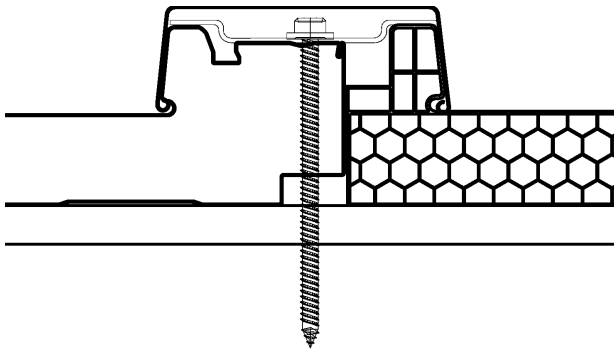
This is a honeycomb polycarbonate panel that has been designed to match our sandwich panels perfectly. The thickness of the sheet is 30 mm and its structure is formed by four levels of hexagonal cells (air chambers), in a "honeycomb" pattern which provides it with a high level of thermal insulation.



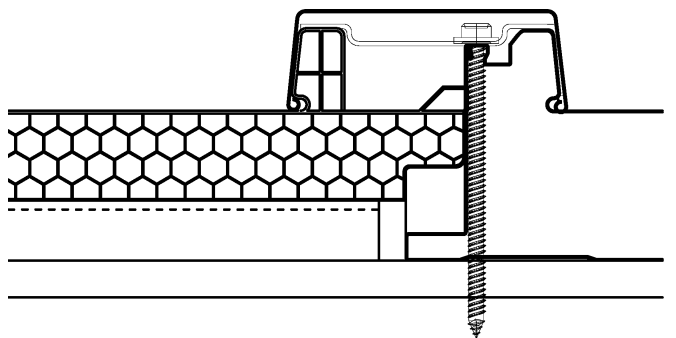
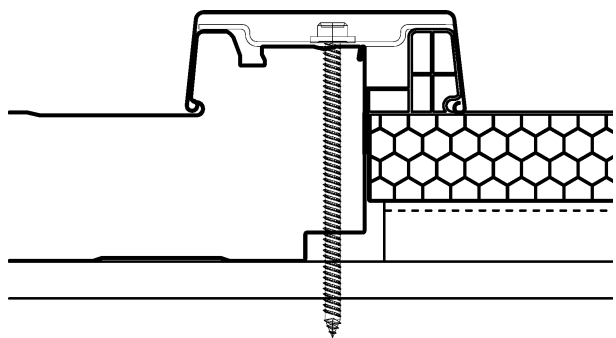
GEOMETRIC SPECIFICATIONS



CONSTRUCTION DETAILS



DETAIL PRESENTATION POLYCARBONATE - HIANSA ROOF PANEL 2GR/3GR - e = 30 mm



DETAIL PRESENTATION POLYCARBONATE - HIANSA ROOF PANEL 2GR/3GR - e → 30 mm

LOAD TABLES

		Distance between purlins (mm)	
		75 kg/m ²	100 kg/m ²
Pressure loads	2 supports	1400	1150
	3 or more supports	2,600T	2,200
Suction loads	2 supports	1150	1000
	3 or more supports	2,000	1800

Safety factor: 1.5

The no-sag staples are placed starting at distances of 1800 mm between purlins.